

INTRODUCING THE 84TXT

A ONE-OF-A-KIND MECHANIC'S TRUCK



- 2017 RAM 5500 Tradesman 4x2
 - 84" Cab-to-Axle
 - 6.4L V8 Heavy Duty HEMI Engine
 - 6-speed Automatic Aisin AS66RC Transmission
 - Payload Upgrade Package



- BrandFX 84TXT Line Body
 - Pack Height: 55"
 - Pack Depth: 24"
 - Overall Width: 94"
 - Full Compartment Sizing on page 2



- American Eagle Heavy Duty Aluminum Drawers
- Stellar 5520 Crane
 - Crane Rating: 25,000 ft-lbs
 - Lifting Capacity:
 - 2500 lbs @ 10'
 - 1250 lbs @ 20'
 - Max Horizontal Reach: 20' 9"
 - Max Vertical Lift: 21' 4"

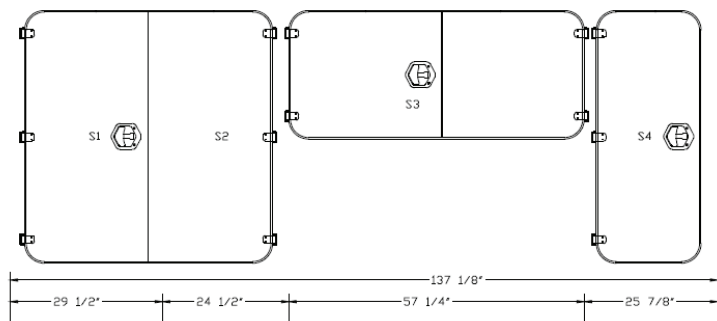


- American Eagle 30R Hydraulic Driven Rotary Screw Compressor
 - 30 CFM @ 100 PSI
- BrandFX Roll Top with Rear Double Doors
- Oxy-Acetylene Tank Rack with Strap
- Black Powder Coated Hardware

\$122,900

FOR THE TOUGHEST JOBS AND THE ROUGHEST CONDITIONS

Streetside View



Curbside View

